

# *Casa de Dios*

10' x 12' Casita House



## *Construction Plans*

In Association with Baja Christian Ministries [www.bajachristian.org](http://www.bajachristian.org)  
Rev. April 22, 2008

Downloads (PDF) available on-line at [www.teamcasa.org](http://www.teamcasa.org)

Also available – VIP Latrine plans – Casita Plans

Special Thanks to Hector Rubio for his service and help in creating these plans.

CAD files available upon request.

©Copyright 2004, 2005 David Bower, Team Casa de Dios, Baja Christian Ministries

Permission is freely granted to copy and use for non-profit organizations.

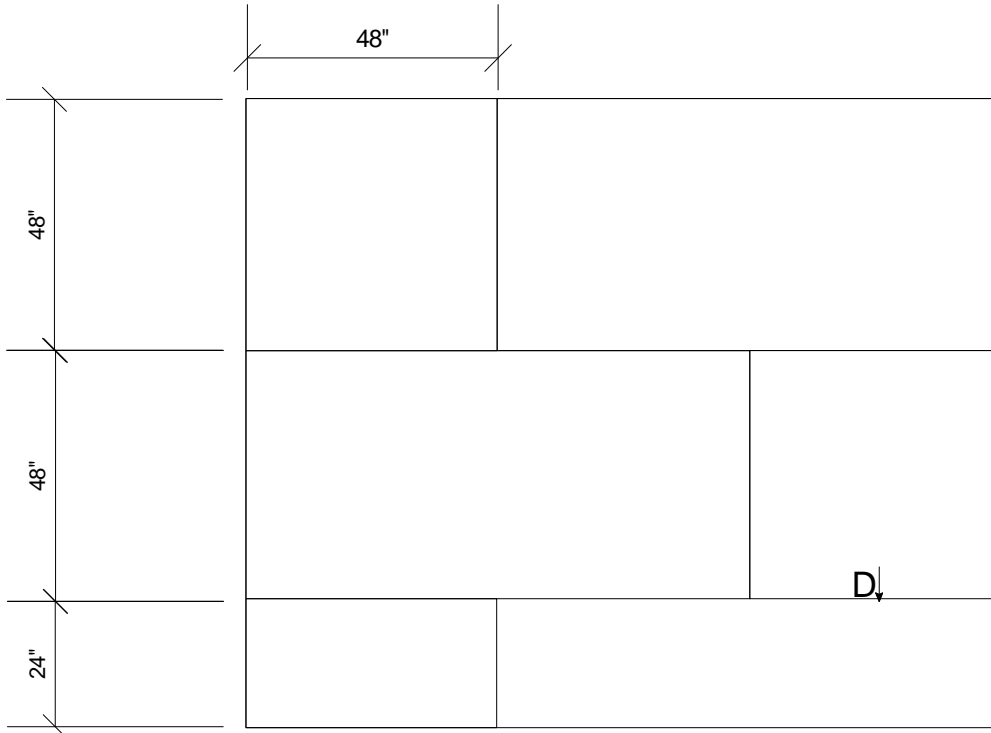
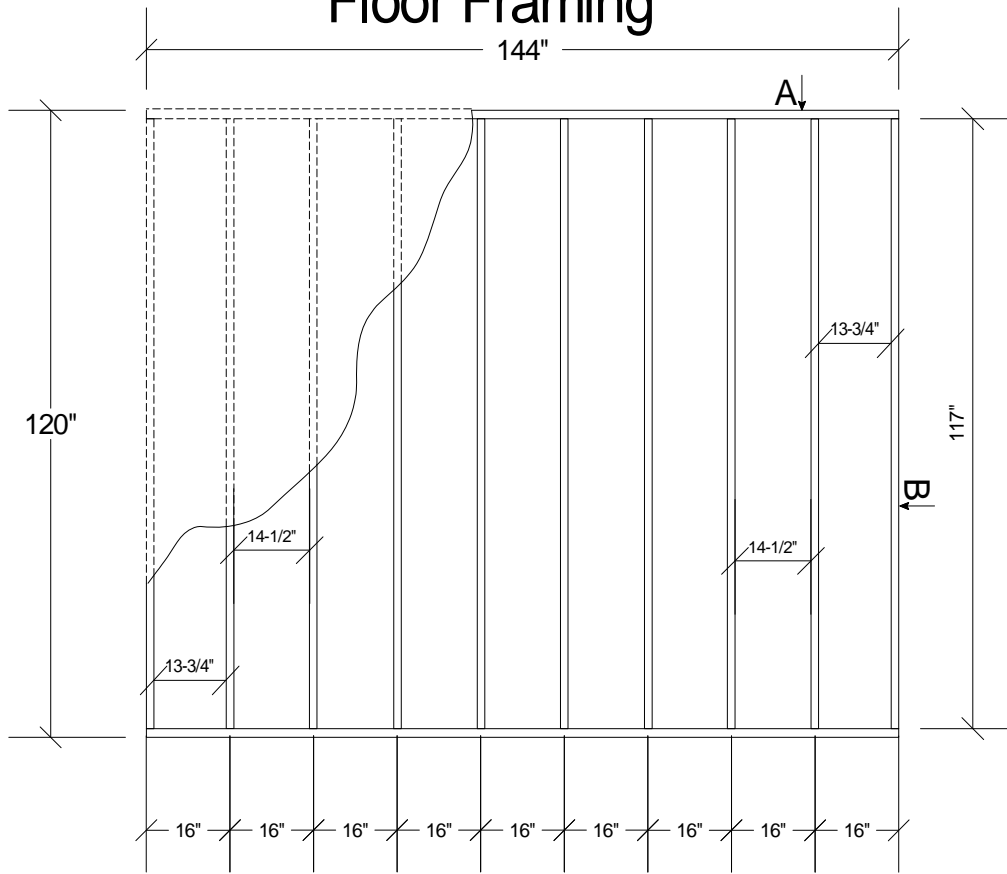
All others must obtain prior permission.

## **Casita Cut List**

<b>Legend</b>	<b>Qty</b>	<b>Dimension</b>	<b>Location/Description</b>
A	6	2"x 4" x 144"	Floor rim – Long wall Top/Bottom Plate
B	10	2"x 4" x 117"	Floor Joists
C	2	48"x 48" x 3/4" Plywood	Floor Sheeting
D	2	24"x 96" x 3/4" Plywood	Floor Sheeting
E	30	2"x 4" x 86"	Wall Studs
F	4	2"x 4" x 12"	Roof Center Support
G	1	2"x 4" x 22-1/2"	Roof Center Support Blocking Rear Wall
H	3	2"x 4" x 36"	Window Studs – Cripples
I	4	2"x 4" x 113"	Front Rear Wall - Top/Bottom Plate
J	1	2"x 4" x 38"	Door Header
K	1	2"x 4" x 11"	Window Top Cripple
L	4	2"x 4" x 168"	Roof Rim Framing
M	18	2"x 4" x 69"	Roof Rafters
N	4	2"x 4" x 22 1/2"	Roof Rafters Blocking
N	4	2"x 4" x 22 3/8"	Roof Rafters Blocking
N	4	2"x 4" x 21 3/4"	Roof Rafters Blocking
O	2	24"x 96" x 1/2"	Plywood Roof Sections (cut to length first)
O1	4	24"x 36" x 1/2"	Plywood Roof Sections (cut to length first)
P	4	48"x 84" x 1/2"	Plywood Roof Sections (cut to length first)
Q	6	48"x 96" x 1/2"	Plywood Wall Sections See Sheet D1
R	4	15-3/4"x 60" x 3-1/2"	Plywood Gable Ends Checar Medida
S	5	48" x 92-1/2" x 1/2"	Plywood Wall Sections See Sheet A8/D1

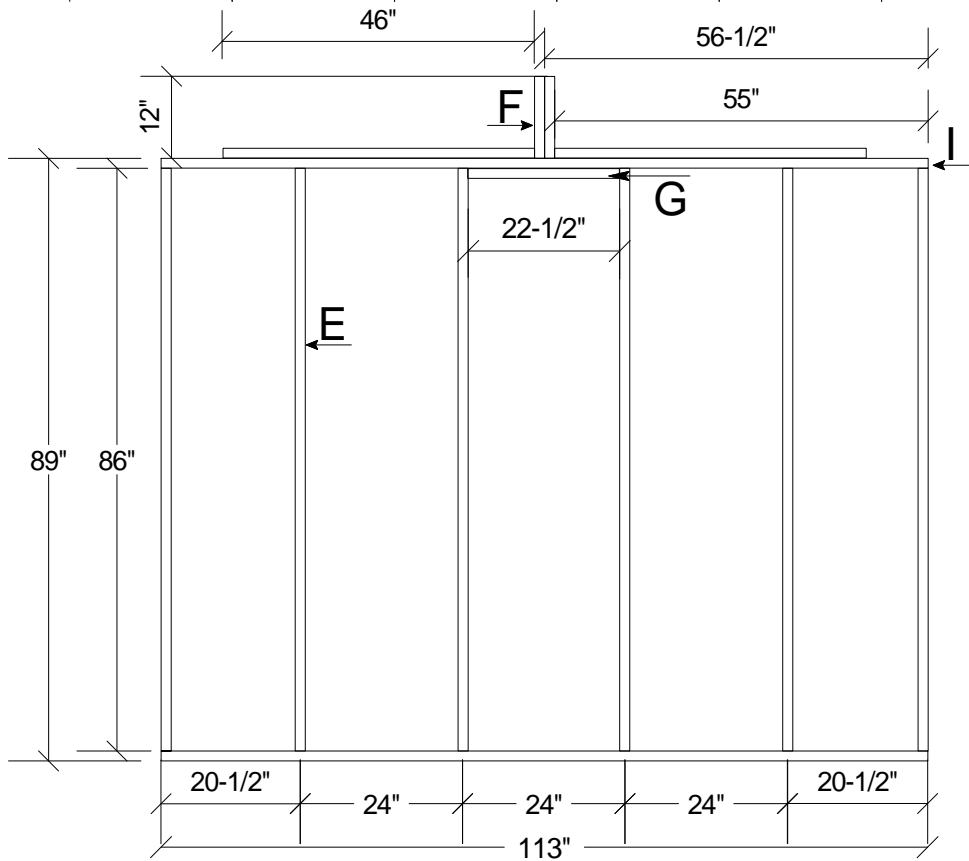
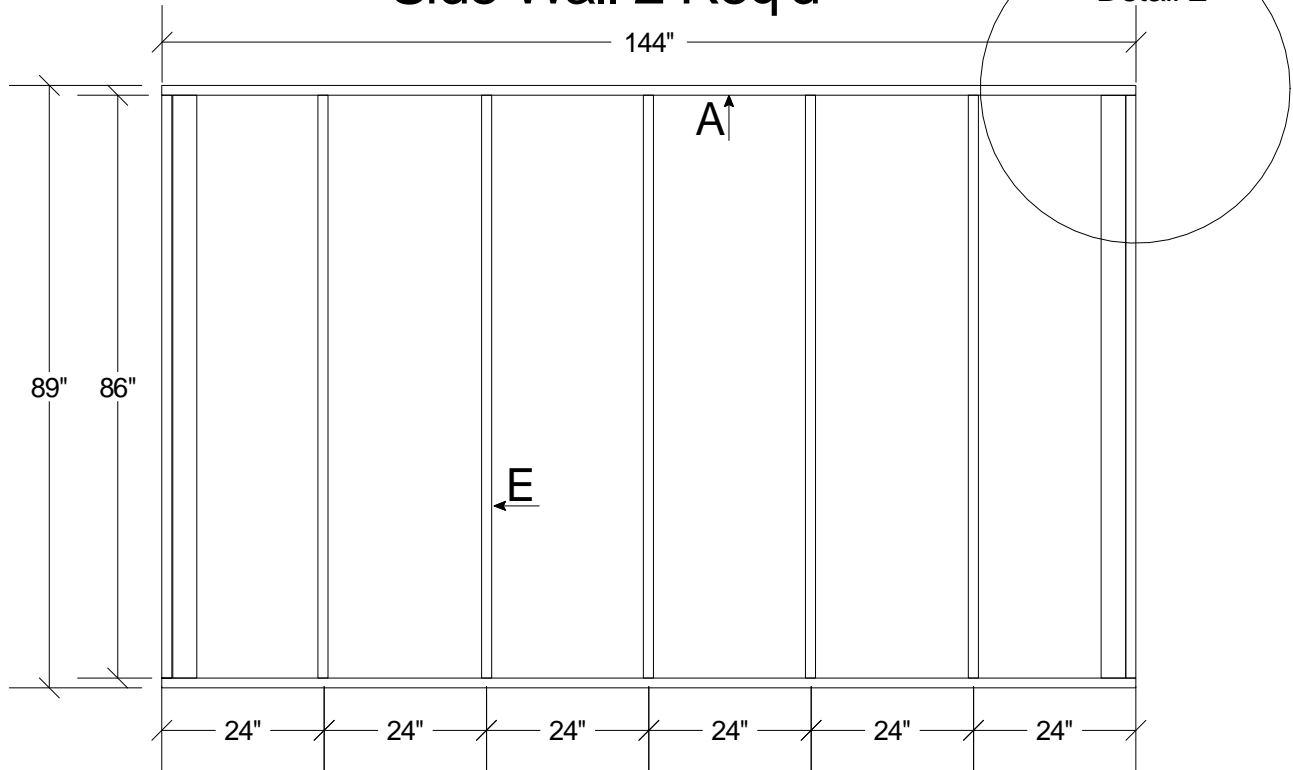
Notes: Verify ALL measurements!  
 Check ALL windows and doors **PRIOR** any cutting!  
 Measure twice! Cut Once!

# Floor Framing

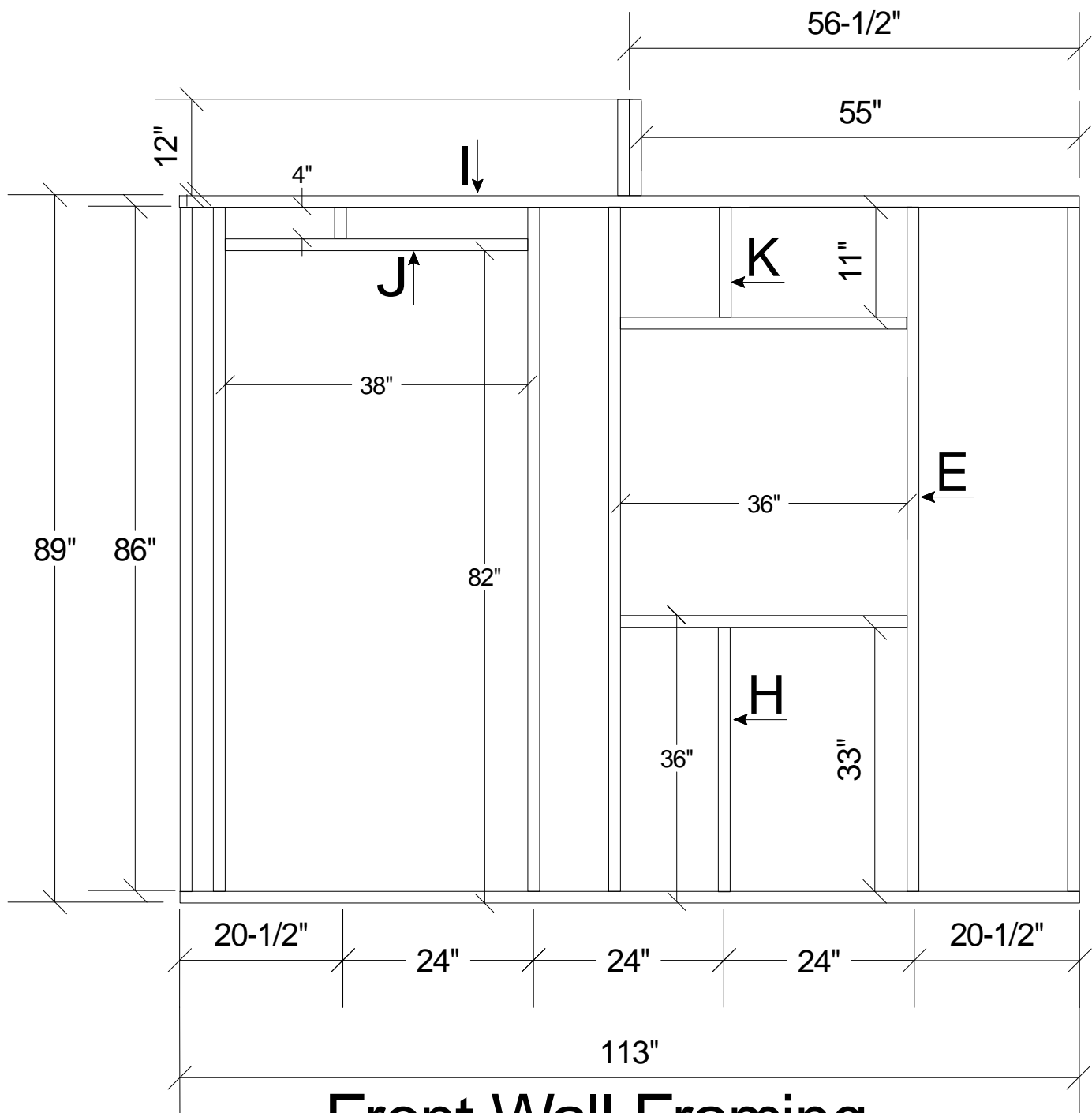


# Floor Sheeting Layout

# Side Wall 2 Req'd



# Rear Wall 1 Req'd

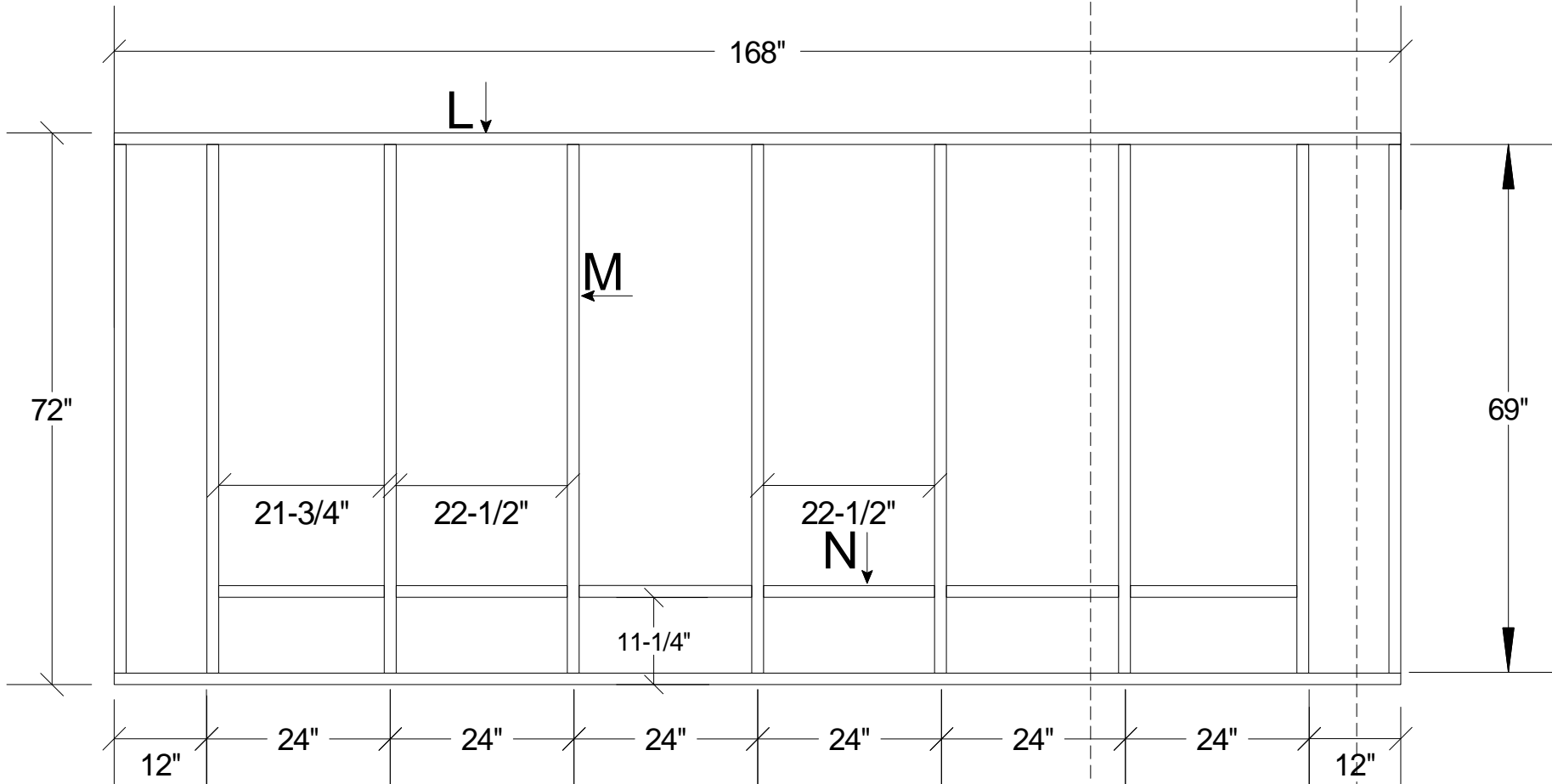


# Front Wall Framing

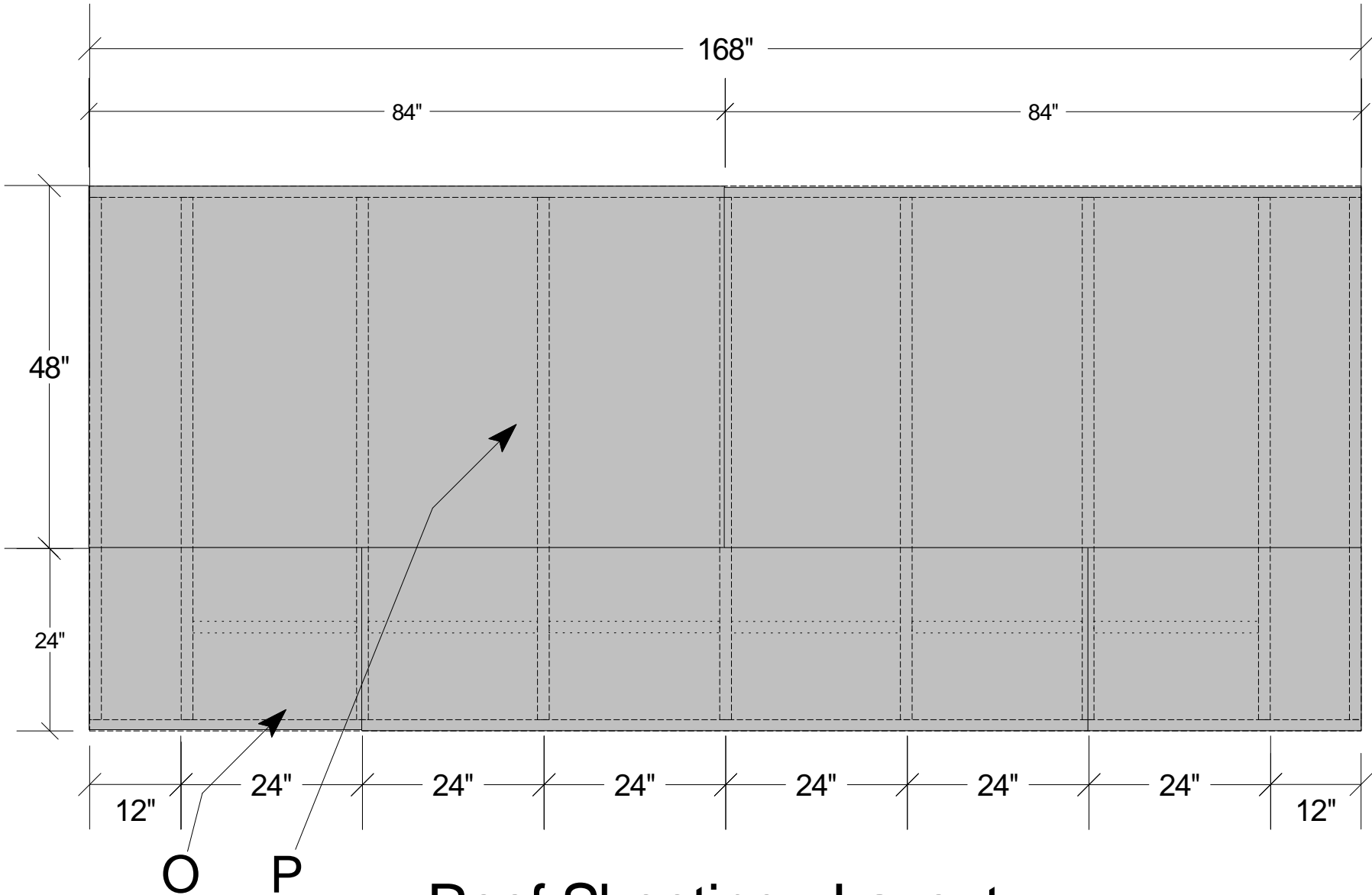
Verify Door and Window measurements.

Note: See Detail 8 for removable roof sections

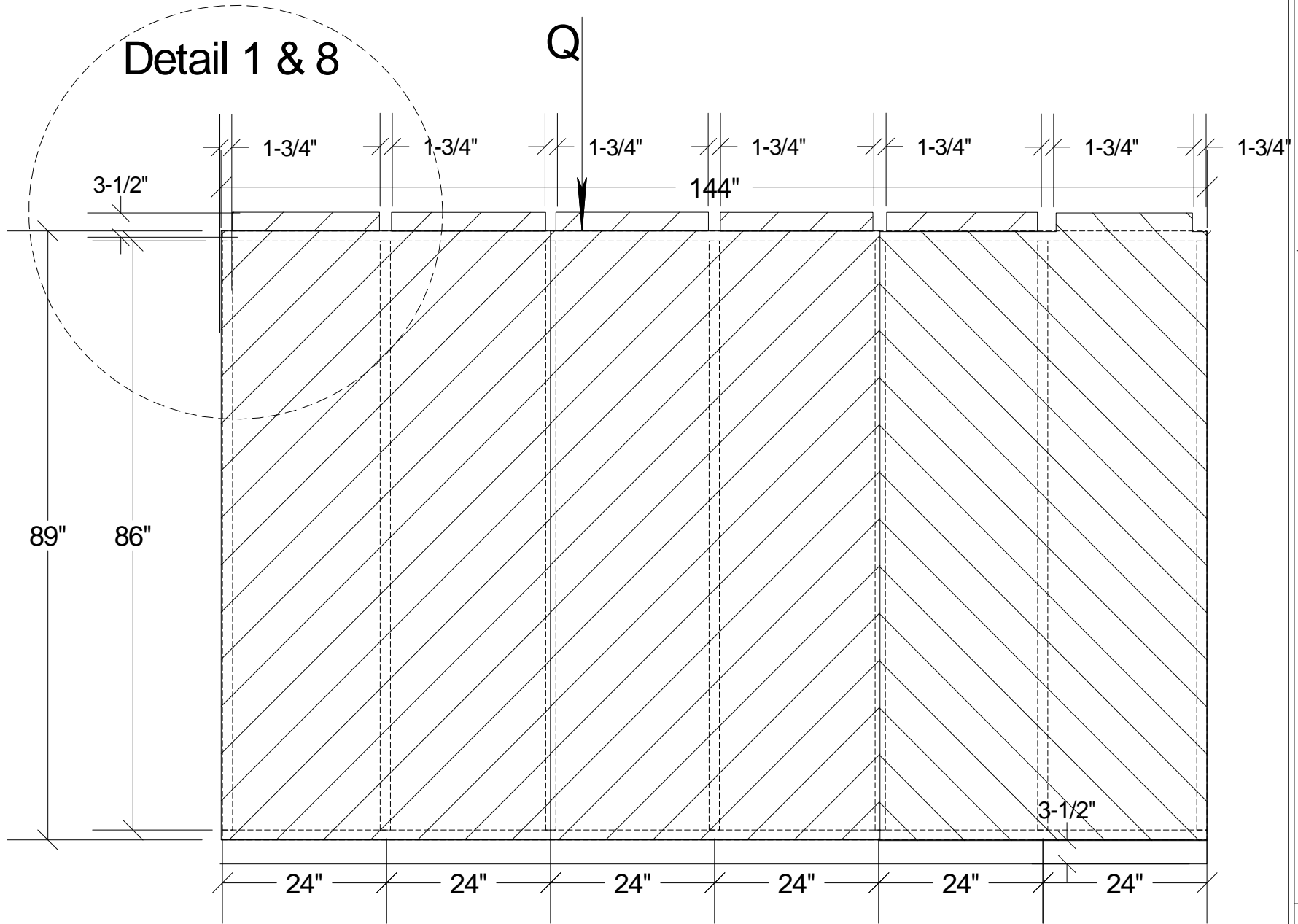
Detail 4



Roof Framing - 2 Req'd

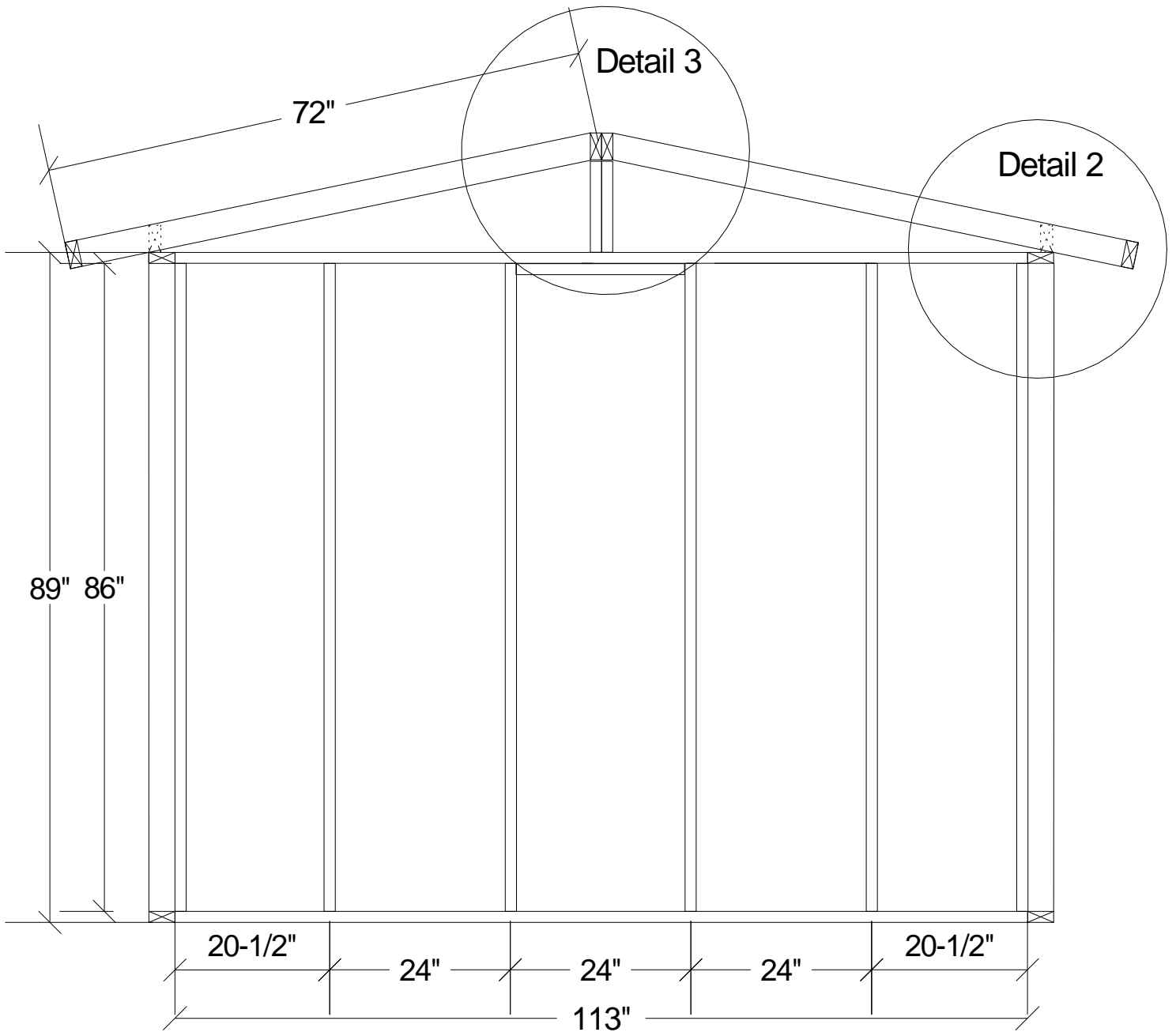


**Roof Sheeting - Layout**  
 Typical of both sides - 3 Sheets

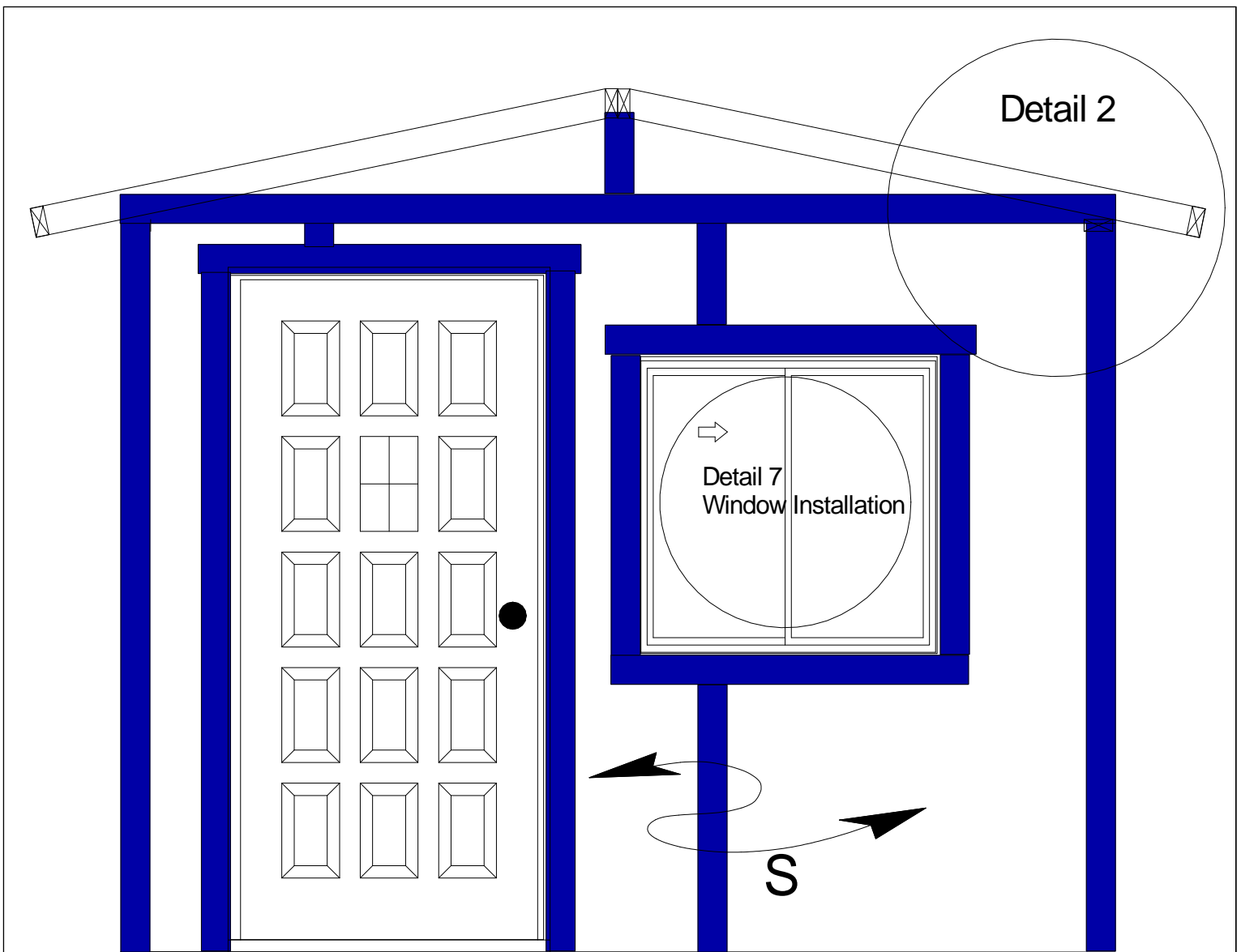


Side Wall Sheeting - 2 Sides Req'd



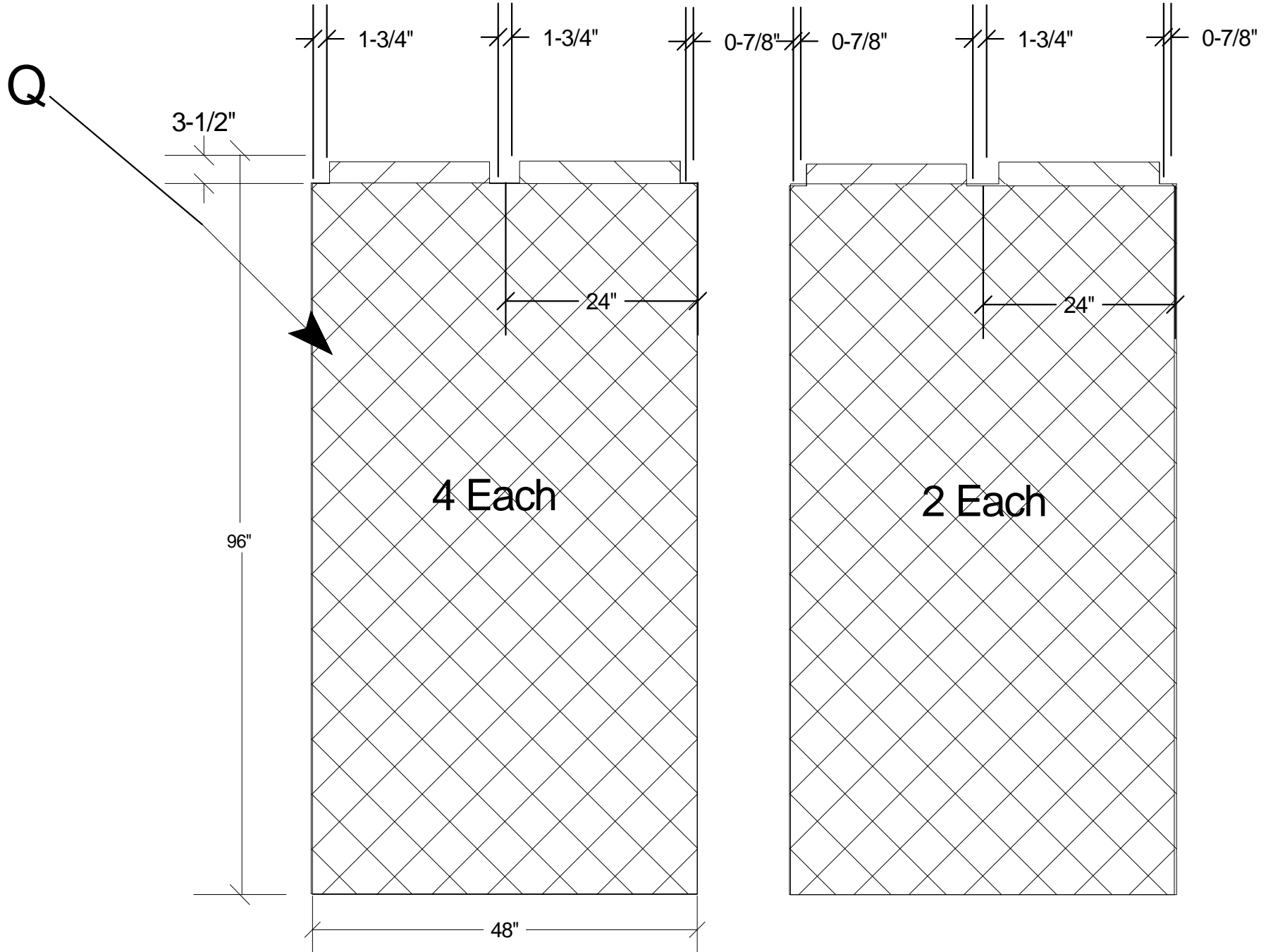


End Wall Elevation



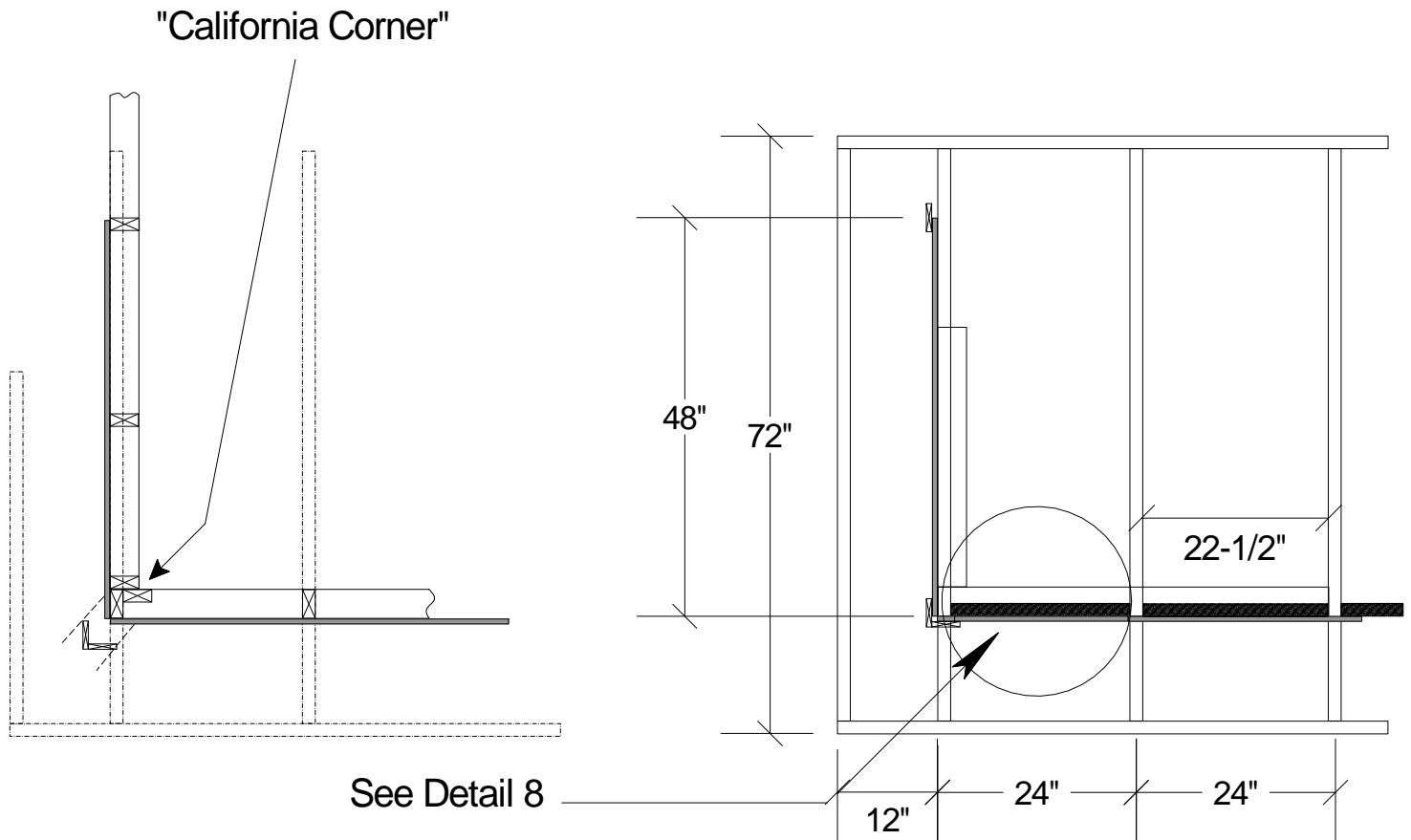
All Plywood seems and corners to be trimmed with 1" x 4" painted trim.  
Trim to be applied around door and window.  
Caulking should be applied behind door and window trim.

## Front Wall Sheeting - Trim



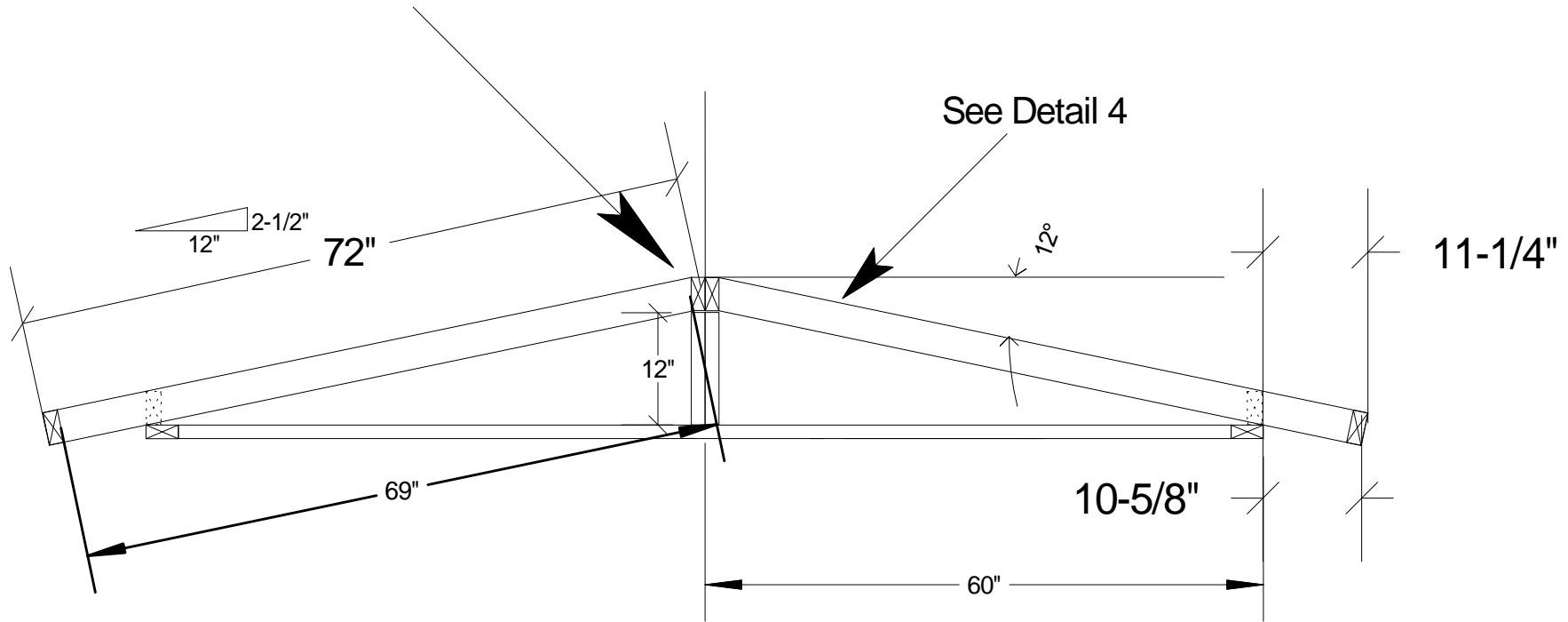
DETAIL 1 - Side Wall Sheeting - 6 Pieces Req'd

Note: See Detail 8 for removable sections



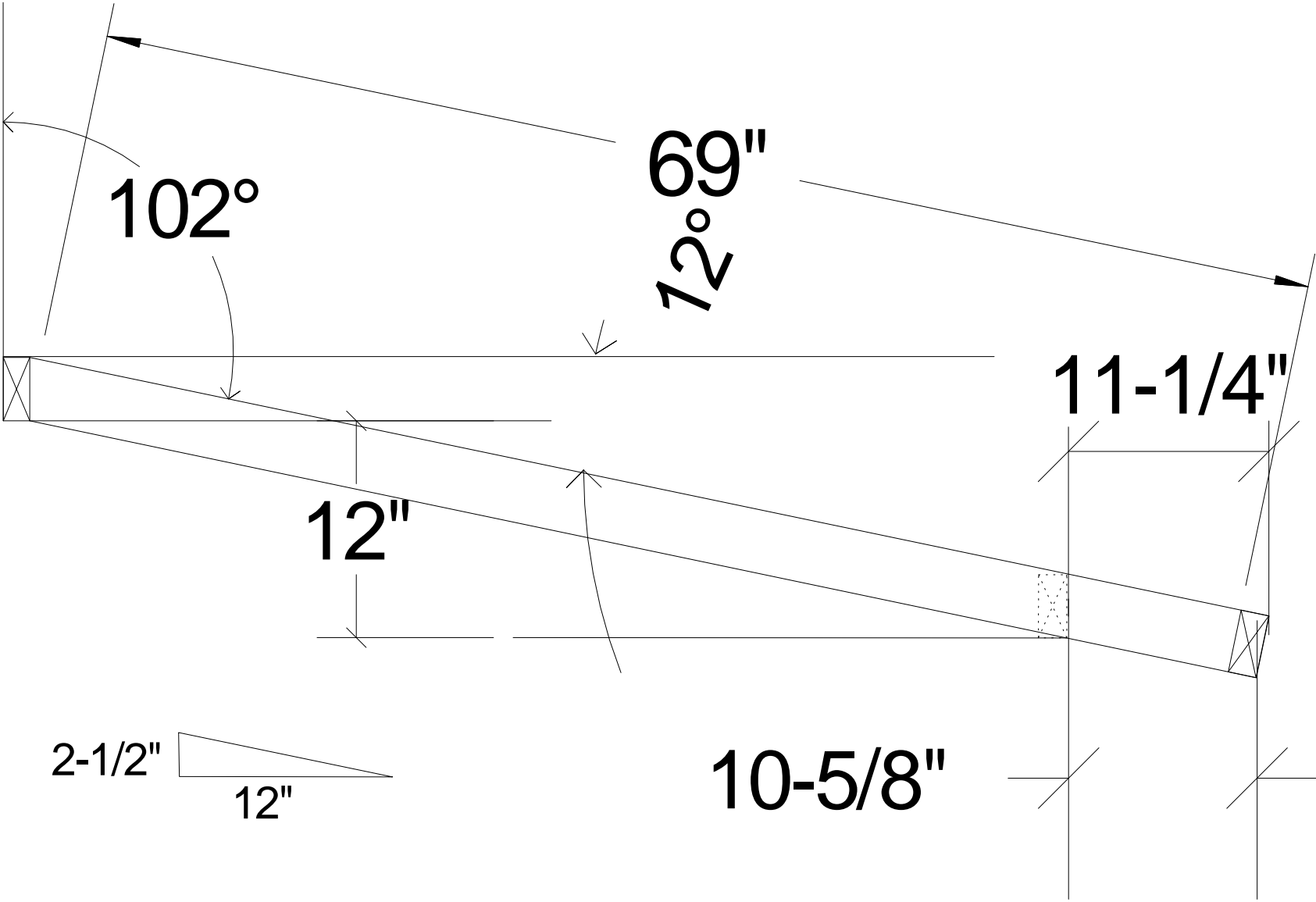
**DETAIL 2 - Corner Trim**  
1x4 Trim on all plywood seams

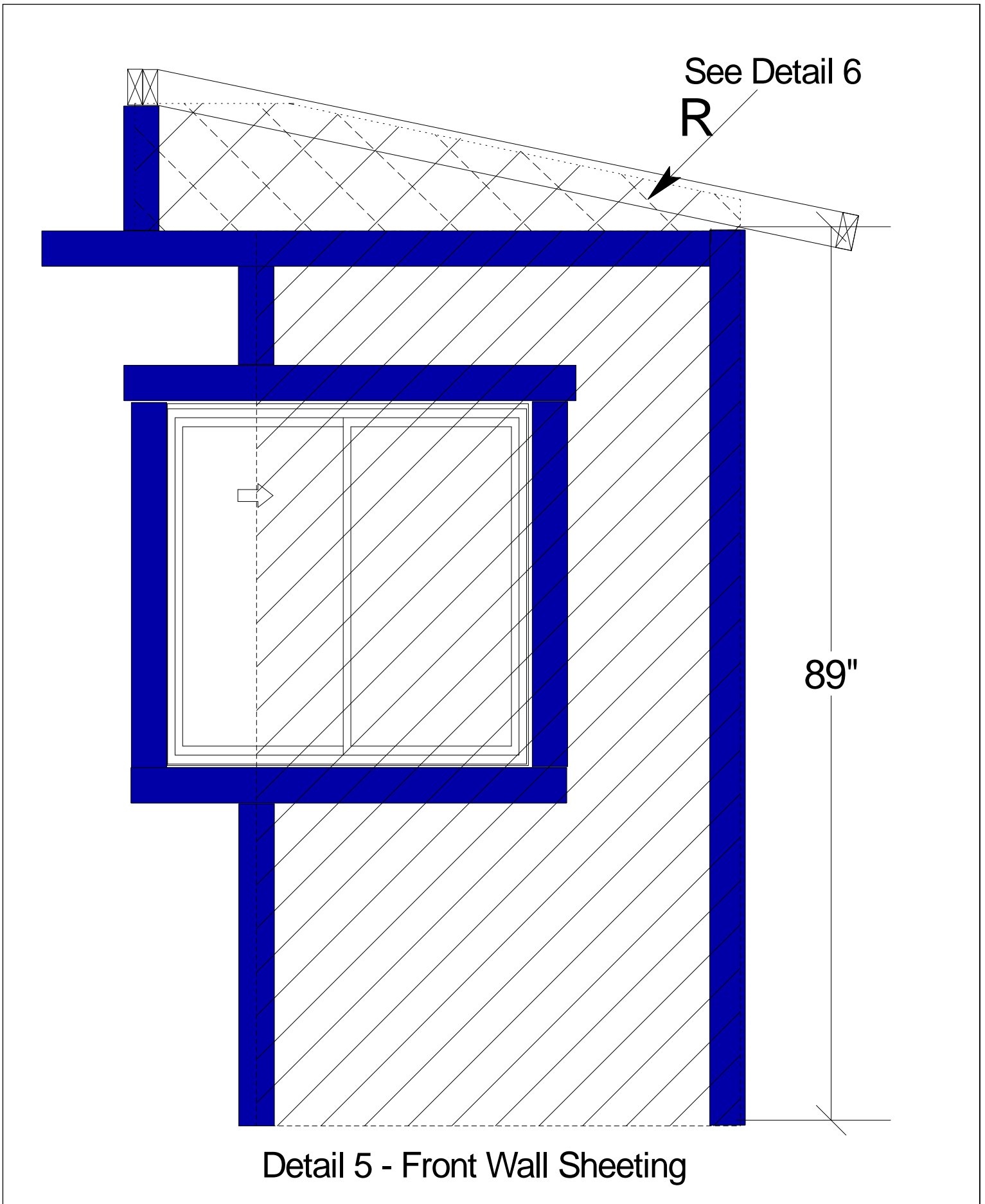
Note: See Detail 8 for removable roof sections

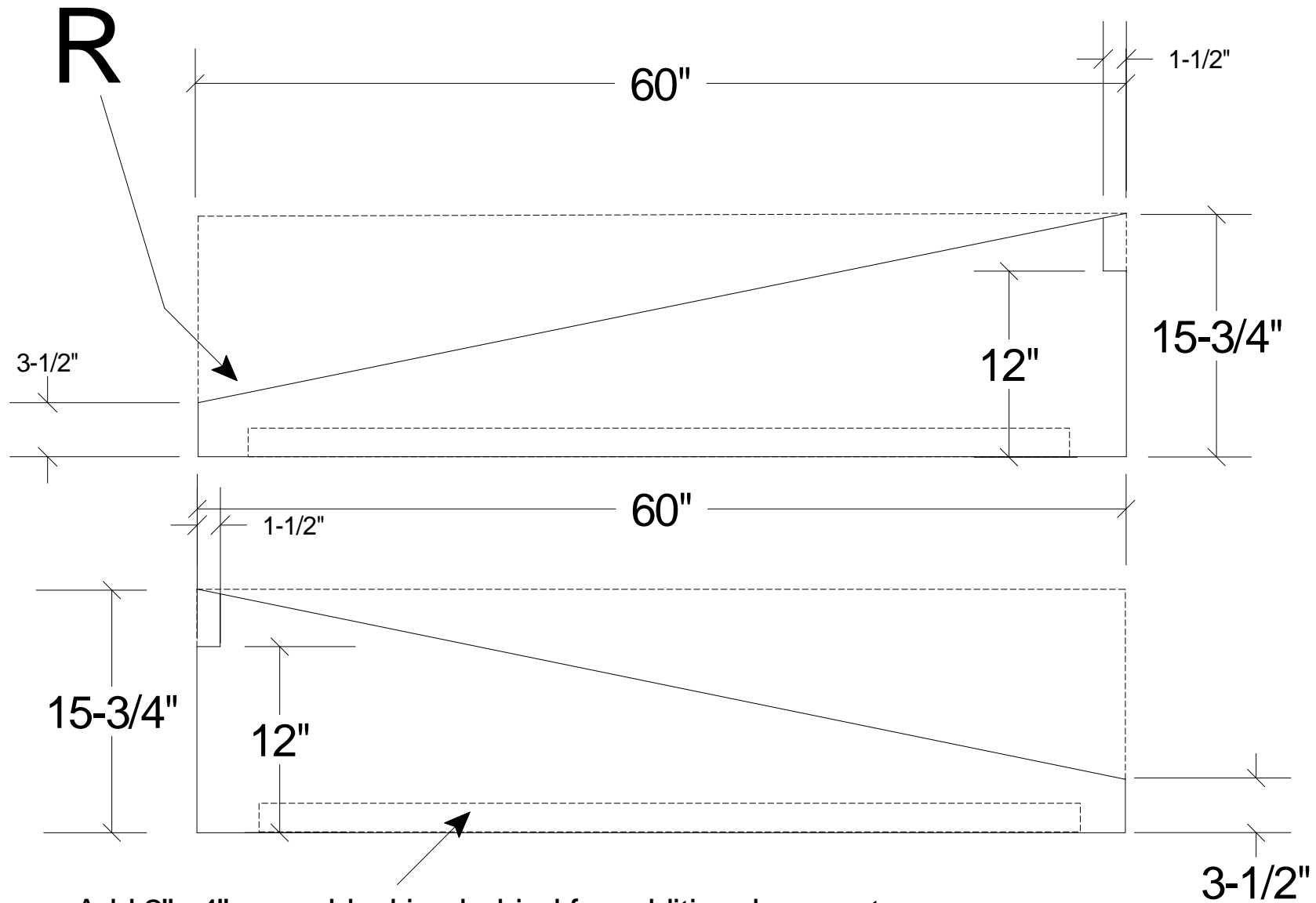


Detail 3 Roof Pitch - Blocking Angles

Detail 4 - Roof Rafter Layout





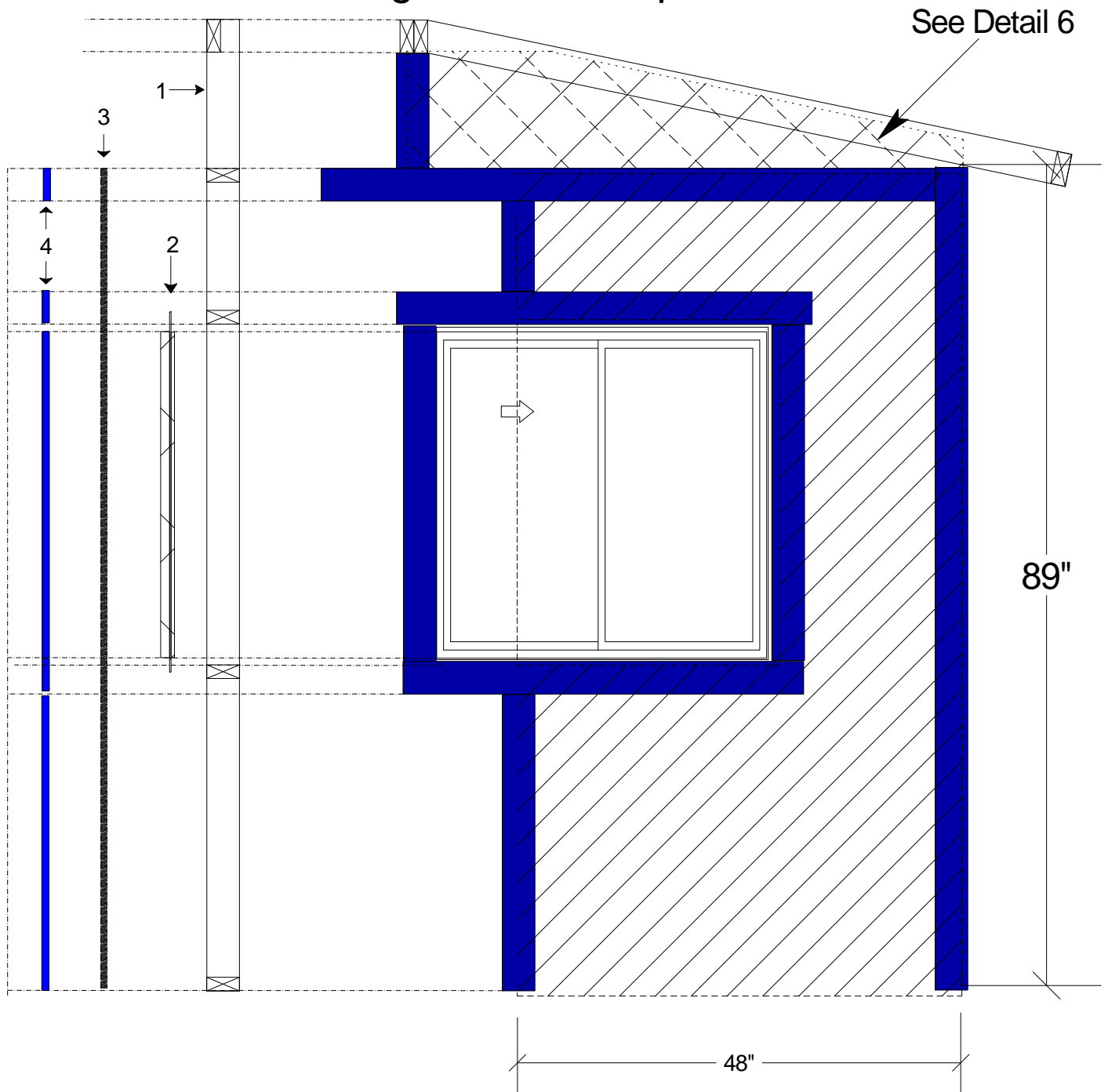


Add 2" x4" scrap blocking behind for additional support.  
Nail to top plate before attaching sheeting and trim.

Detail 6 - Top cut of plywood face for both FRONT and REAR walls  
2 Each - 4 Total pieces



1. Framing First
2. Window Second - 1 Nail each corner
3. Plywood Third
4. Trim Last with caulking around the top and sides



Detail 7 - Window Installation  
Trim/Sheeting